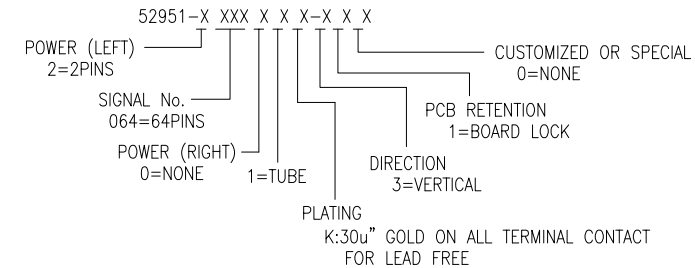
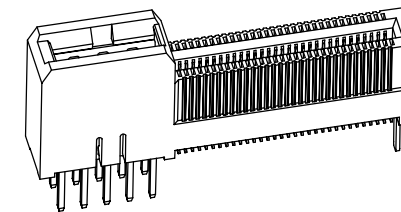
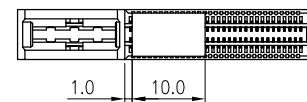
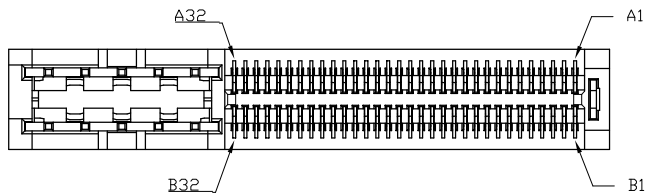
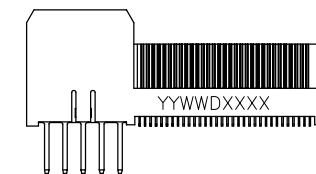
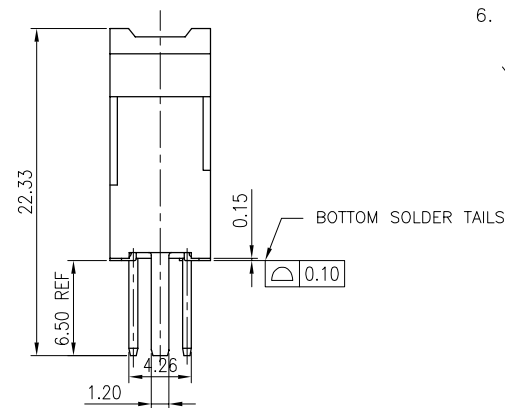
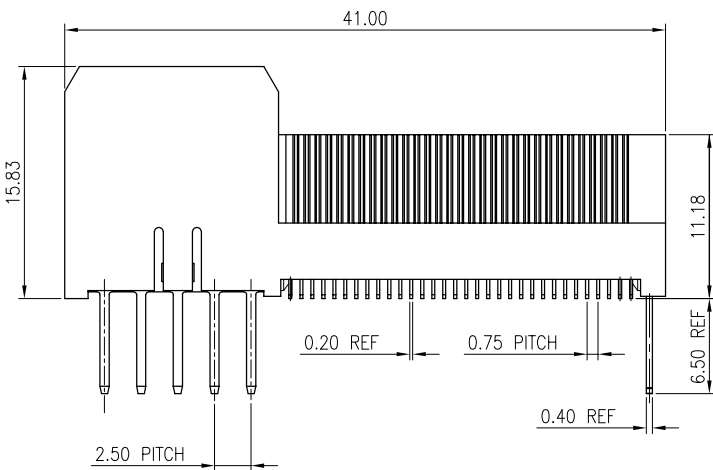
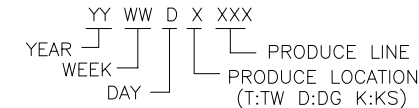


NOTES:

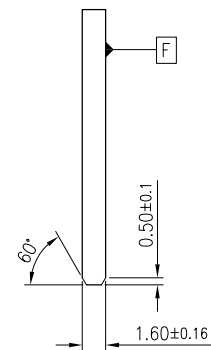
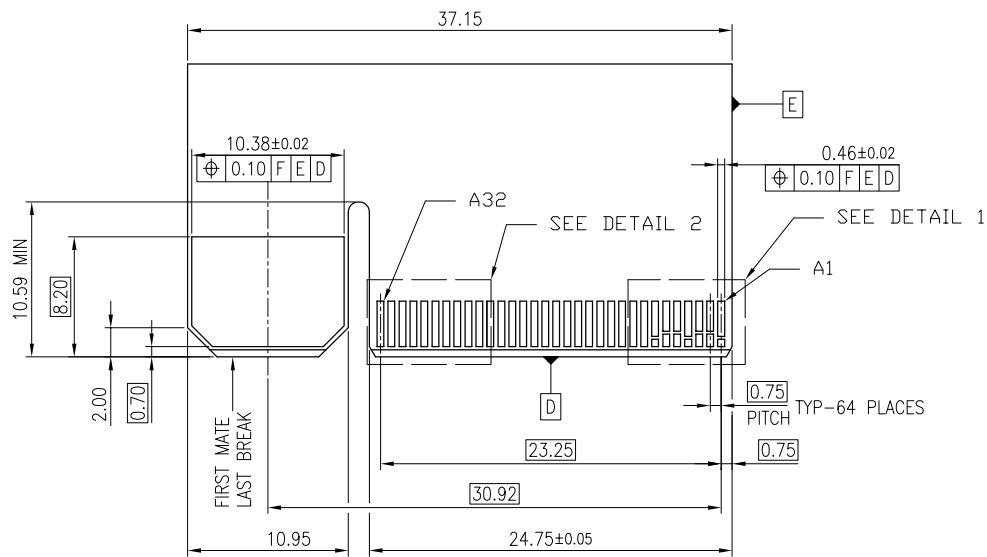
- MATERIAL:
 - 1-1 HOUSING: VECTRA E130i GF30% ,UL94V-0, COLOR IS BLACK
 - 1-2 POWER CONTACT: HIGH PERFORMANCE COPPER ALLOY C19210
 - 1-3 SIGNAL CONTACT: COPPER ALLOY C5210
- PLATING : 50u" MIN NICKEL UNDERPLATING OVER ALL
- REFLOW SOLDER CAPABLE TO 260°C PER ACES SPEC.
- SPEC. PLS. REFER TO PS-52950-XXXXXXX
- PACKAGE PLS. REFER TO 52950-XXXXXXX-XXX-PCK
- PART NUMBER



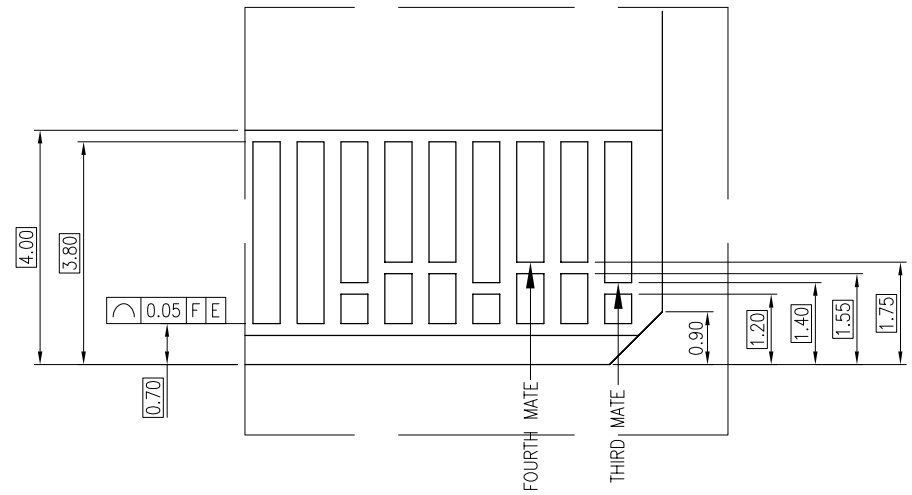
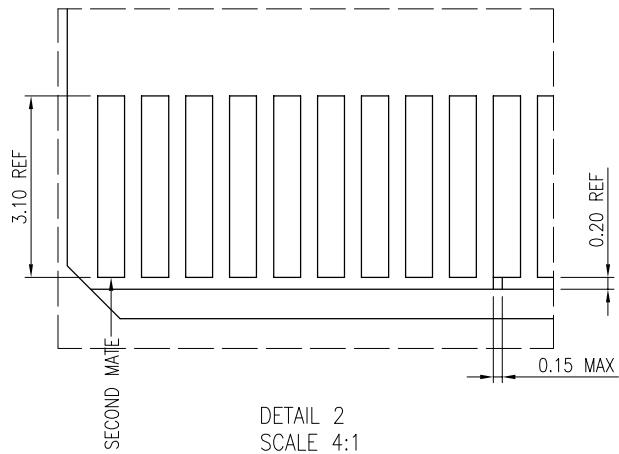
6. DATE CODE:



一般公差 TOLERANCES X ±0.5 .XX ±0.15 X ±0.25 .XXX ±0.1 ANGLES ±2°		宏致電子股份有限公司 Aces Electronics Co.,Ltd.	
檢驗尺寸標示 SYMBOLS INDICATE CLASSIFICATION DIMENSION MARK IS CRITICAL DIM. MARK IS MAJOR DIM.		品名 (TITLE) SAS + POWER CONN. S/T TYPE 圖號 (DWG NO.) 52951-XXXXXXX-XXX	製圖 (DR) 17/1/13 JASON 審核 (CHKD) RYAN 核准 (APPD) HIRATOMI
表面處理 (FINISH)	比例 (SCALE) 2:1	單位 (UNITS) mm	張數 (SHEET) 1 OF 3 SIZE A4 REV E



OVER CONTACT PADS



DETAIL 1
SCALE 4:1

RECOMMENDED TIE BAR SIZE

一般公差 TOLERANCES X ±0.5 XX ±0.15 X ±0.25 XXX ±0.1 ANGLES ±2°		宏致電子股份有限公司 Aces Electronics Co.,Ltd.	
檢驗尺寸標示 SYMBOLS ⊕ INDICATE CLASSIFICATION DIMENSION ⊕ MARK IS CRITICAL DIM. ⊕ MARK IS MAJOR DIM.		品名 (TITLE) SAS + POWER CONN. S/T TYPE	製圖 (DR) 17/1/13 JASON 審核 (CHKD) RYAN
		圖號 (DWG.NO) 52951-XXXXXXX-XXX	核准 (APPD) HIRATOMI
表面處理 (FINISH)	比例 (SCALE) 2:1	單位 (UNITS) mm	張數 (SHEET) 2 OF 3 SIZE A4 REV E

